



# HP xw9300 Workstation Disassembly Procedures

407688-001

October, 2005 Edition

<b>1</b>	<b>PRODUCT END-OF-LIFE DISASSEMBLY INSTRUCTIONS .....</b>	<b>2</b>
1.1	Product Identification .....	2
1.2	Purpose .....	2
1.3	Removal Items.....	2
1.4	Required Tools.....	3
<b>2</b>	<b>WORKSTATION DISASSEMBLY PROCEDURES .....</b>	<b>4</b>
<b>3</b>	<b>POWER SUPPLY DISASSEMBLY PROCEDURES .....</b>	<b>9</b>



## 1 Product End-of-Life Disassembly Instructions

This document describes the disassembly of an HP workstation for the removal of Annex-2 components.

### 1.1 Product Identification

The procedures in this document apply to the workstation identified in Table 1-1.

**Table 1-1 Product ID**

Marketing Name / Model	Description
HP xw9300 Workstation	Personal Workstation

### 1.2 Purpose

This document is for end-of-life recyclers or treatment facilities. It provides basic instructions for disassembling an HP workstation to remove components and materials that require selective treatment.

### 1.3 Removal Items

Table 1-2 lists the items to be removed.

**Table 1-2 Removal Items**

Item Description	Notes	Quantity of Items in Workstation
Printed Circuit Boards (PCB) or Printed Circuit Assemblies (PCA) with a surface greater than 10 square cm		Four—two in the power supply, one graphics card, and one system board. (Additional cards may be present depending on the configuration.)
Batteries	All types including standard alkaline and lithium coin or button style batteries	One
Components containing mercury	Examples: mercury in lamps, display backlights, scanner lamps, switches, batteries	None
Liquid Crystal Displays (LCD) with a surface greater than 100 square cm	Includes background illuminated displays with gas discharge lamps	None



Item Description	Notes	Quantity of Items in Workstation
Cathode Ray Tubes (CRT)		None
Capacitors / condensers that contain PCB / PCT		None
Electrolytic capacitors / condensers that measure greater than 2.5 cm in diameter or height		Fifteen attached to the power supply boards.
External electrical cables and cords		One
Gas Discharge Lamps		None
Plastics containing Brominated Flame Retardants		None
Components and parts containing toner and ink, including liquids, semi-liquids (gel/paste), and toner	Includes the cartridges, print heads, tubes, vent chambers, and service stations	None
Components and waste that contain asbestos		None
Components, parts, and materials that contain refractory ceramic fibers		None
Components, parts, and materials that contain radioactive substances		None

**1.4 Required Tools**

Table 1-3 lists the tools required for disassembly.

**Table 1-3 Required Tools**

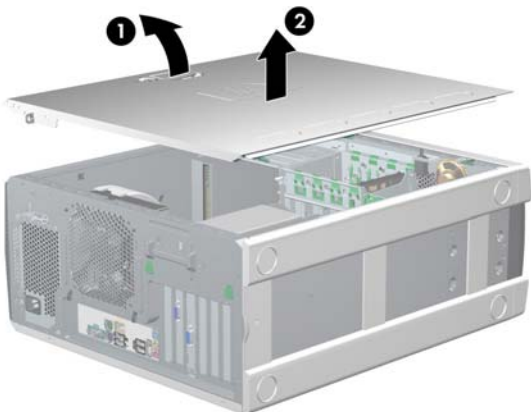
Tool Description	Tool Size (if applicable)
Torx drivers, screwdriver, diagonal cutter	



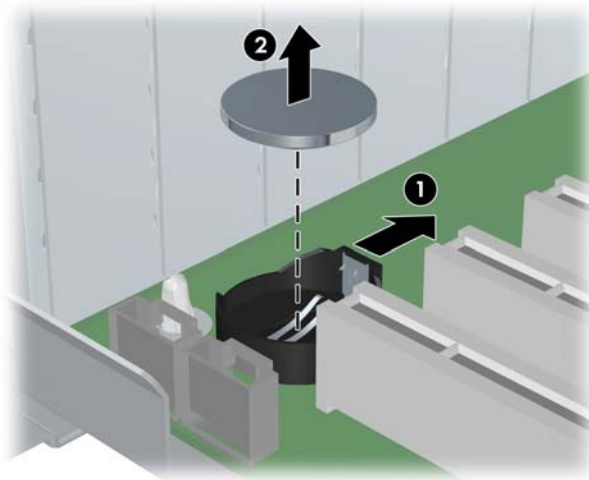
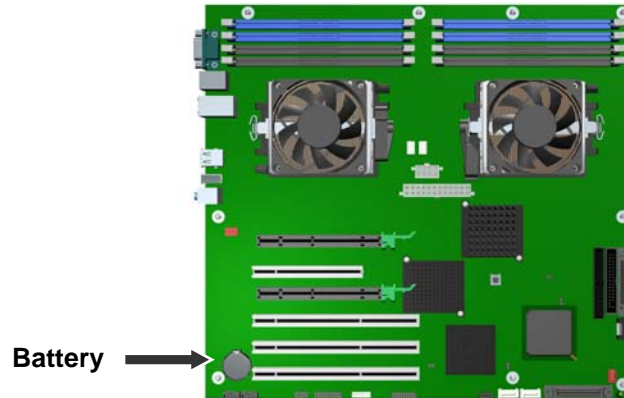
**2 Workstation Disassembly Procedures**

Table 2-1 lists the steps to follow to disassemble the workstation.

**Table 2-1 Workstation Disassembly**

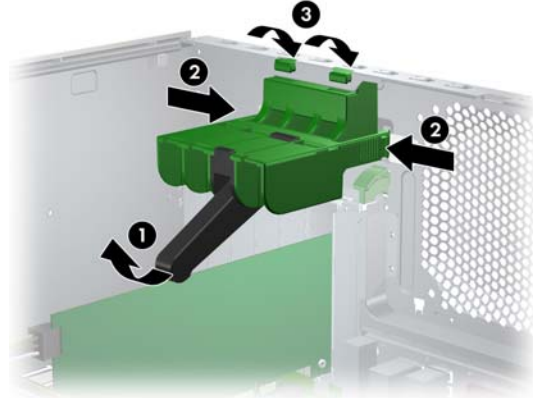
1.	Remove/disengage any security devices that prohibit opening the workstation.
2.	Disconnect the power cord from the electrical outlet and then from the workstation.
3.	Disconnect all peripheral device cables from the workstation.
4.	<p>Remove the access panel. Pull up on the handle ❶ and lift off the cover ❷.</p> 
5.	Disconnect all internal cables from System Board, Power Supply, and other components.

6. Remove the system battery. On the system board, press on the release tab of the battery holder ❶. Lift the battery straight up ❷.

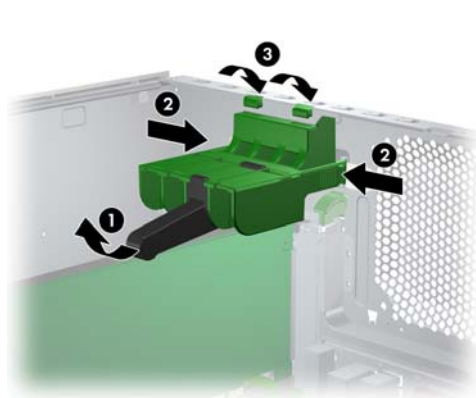


**7. Remove the graphics card and any other expansion cards.**

If necessary, remove PCI holders. For short or tall PCI cards, lift up on the holder arm ❶ with one hand and press in on the sides ❷ of the holder and rotate it ❸ out of the chassis.



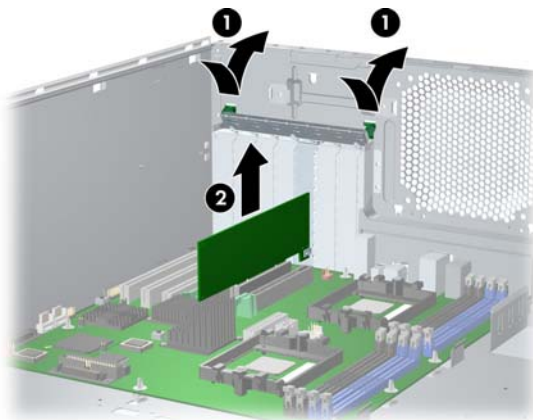
**Short Card**



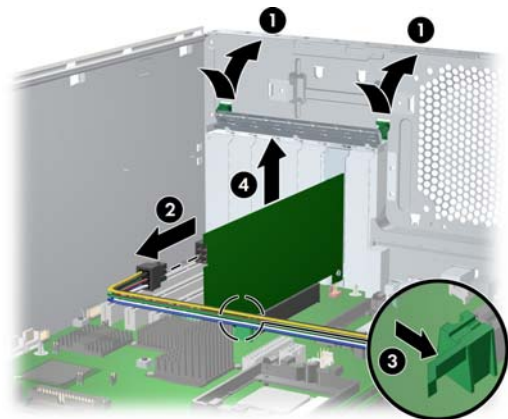
**Tall Card**

Remove the PCI retainer by pressing down on it, then out ❶. Lift the PCI or PCI-X card out of the chassis ❷.

For PCI Express cards, remove the power supply cable ❷ if installed, and press in on the release lever ❸ while lifting the card ❹ out of the chassis.



**PCI or PCI-X Card**

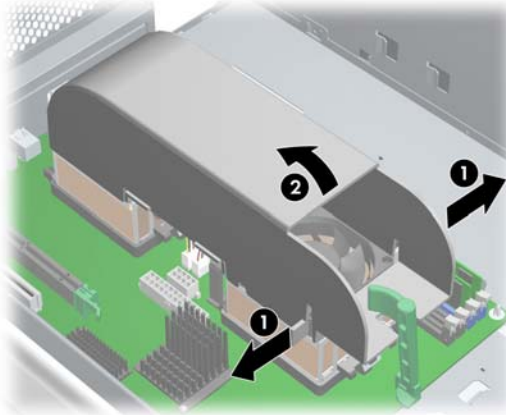


**PCI Express Card**

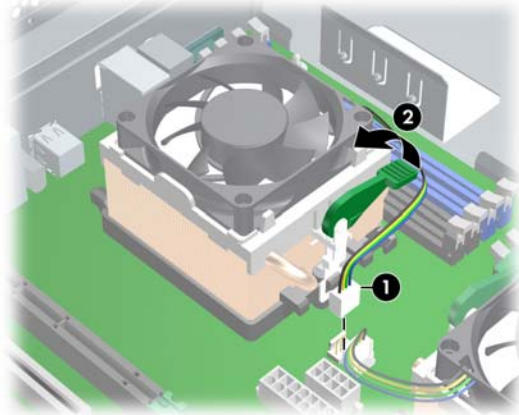
**8. Remove the CPU Heatsink.**

Remove the CPU airflow duct by lifting up on the tabs **1** and rotating the duct away **2** from the CPU heatsinks.

Disconnect the CPU heatsink cable **1** from the system board. Rotate the latch lever away **2** from the system board.



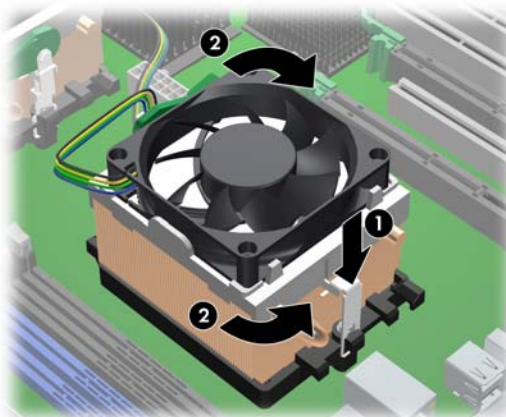
**Airflow Duct**



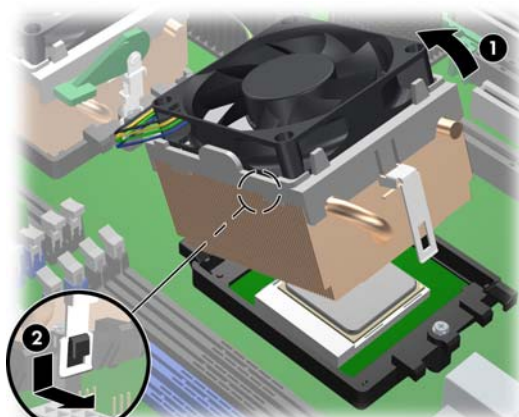
**Heatsink Cable**

On the opposite side where the lever is placed, press down on the metal clamp **1** until the tab releases from the processor retention frame. When the metal clamp releases from the processor retention frame, gently twist **2** the CPU heatsink left and right about  $\frac{1}{4}$  inch in each direction to break the thermal grease seal between the CPU heatsink and the processor.

Rotate the CPU heatsink away **1** from the system board by lifting the side where you released the metal clamp and rotating the entire CPU heatsink assembly away from the processor retention frame. When you have rotated the CPU heatsink assembly about 45 degrees, free the metal clamp **2** that is under the black tension lever then lift the CPU heatsink up and away from the system board.

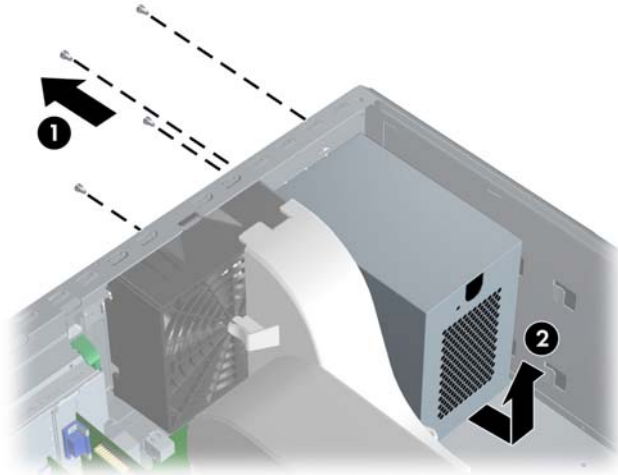


**Break Thermal Grease Seal**

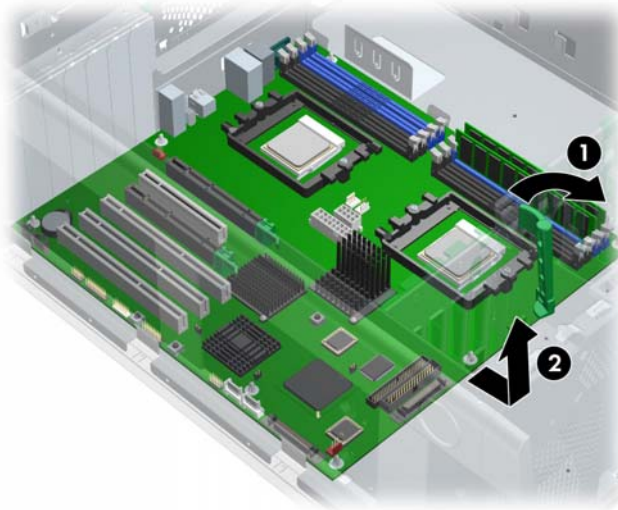


**Remove Heatsink**

9. Remove the power supply from the chassis. Remove the four screws ❶ from the back panel. Slide the power supply toward the front and lift up ❷ to remove it from the chassis.



10. Remove the system board. Turn the green lever ❶ clockwise to disengage the system board from the chassis. Push the system board forward and lift it out ❷ of the chassis.


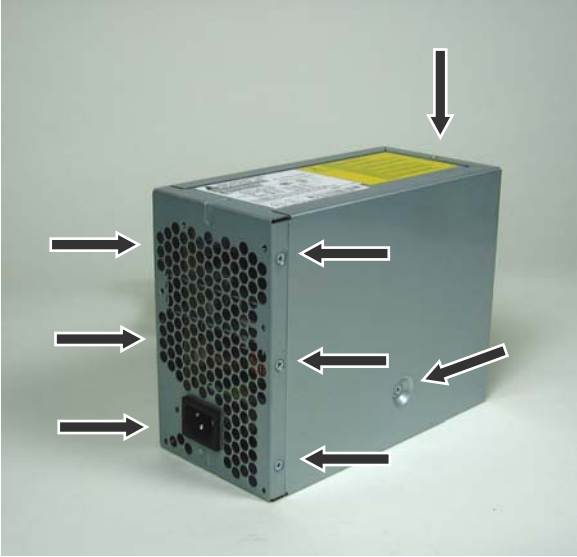




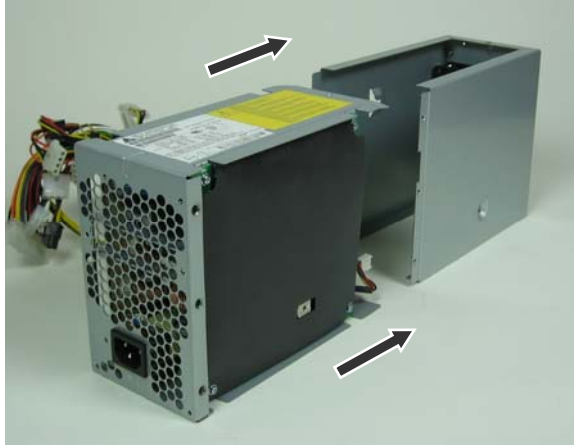
### 3 Power Supply Disassembly Procedures

Table 3-1 lists the steps to follow to disassemble the power supply.

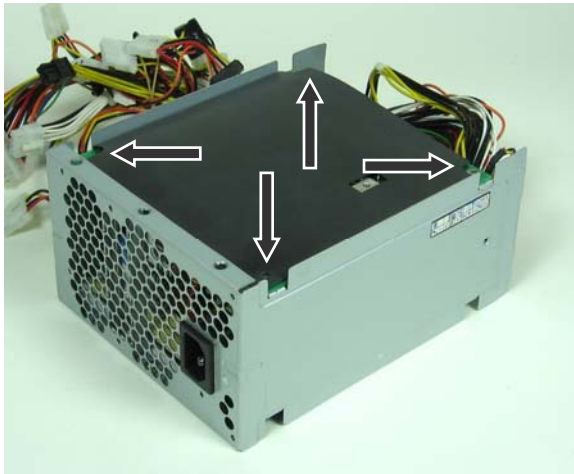
**Table 3-1 Power Supply Disassembly**

1.	Use Table 1-2 to identify all components to be removed.
2.	<p>Cut the cable tie at the rear of the unit.</p> 
3.	<p>Remove the eight power supply screws—three on each side of the front, one at the side, and one at the top back.</p> 

4. Slide the chassis housing from the power supply unit.



5. Remove the four screws from the corners of the first PCB card. Pull the card loose from the chassis.



6. Unplug the three connectors that connect the two PCB cards together. Remove the PCB card from the chassis.



7. Ensure that all capacitors are safely discharged. Use a diagonal cutter to remove the desired components from both PCB cards. (Note that some components may need to be unsoldered if a diagonal cutter does not fit between the component and the PCB card.)



8. Dispose of all removed components according to regulatory requirements.



**HP Part Number: 407688-001**

© 2005 Hewlett-Packard Development Company, L.P. The HP Invent logo is a registered trademark of Hewlett-Packard Development Company, L.P.