



# HP xw4300 Workstation Disassembly Procedures

407685-001

October, 2005 Edition

<b>1</b>	<b>PRODUCT END-OF-LIFE DISASSEMBLY INSTRUCTIONS .....</b>	<b>2</b>
1.1	Product Identification .....	2
1.2	Purpose .....	2
1.3	Removal Items.....	2
1.4	Required Tools.....	3
<b>2</b>	<b>WORKSTATION DISASSEMBLY PROCEDURES .....</b>	<b>4</b>
<b>3</b>	<b>POWER SUPPLY DISASSEMBLY PROCEDURES .....</b>	<b>8</b>



## 1 Product End-of-Life Disassembly Instructions

This document describes the disassembly of an HP workstation for the removal of Annex-2 components.

### 1.1 Product Identification

The procedures in this document apply to the workstation identified in Table 1-1.

Table 1-1 Product ID

Marketing Name / Model	Description
HP xw4300 Workstation	Personal Workstation

### 1.2 Purpose

This document is for end-of-life recyclers or treatment facilities. It provides basic instructions for disassembling an HP workstation to remove components and materials that require selective treatment.

### 1.3 Removal Items

Table 1-2 lists the items to be removed.

Table 1-2 Removal Items

Item Description	Notes	Quantity of Items in Workstation
Printed Circuit Boards (PCB) or Printed Circuit Assemblies (PCA) with a surface greater than 10 square cm		Four—two in the power supply, one graphics card, and one system board. (Additional cards may be present depending on the configuration.)
Batteries	All types including standard alkaline and lithium coin or button style batteries	One
Components containing mercury	Examples: mercury in lamps, display backlights, scanner lamps, switches, batteries	None
Liquid Crystal Displays (LCD) with a surface greater than 100 square cm	Includes background illuminated displays with gas discharge lamps	None
Cathode Ray Tubes (CRT)		None



Item Description	Notes	Quantity of Items in Workstation
Capacitors / condensers that contain PCB / PCT		None
Electrolytic capacitors / condensers that measure greater than 2.5 cm in diameter or height		Six attached to the power supply boards.
External electrical cables and cords		One
Gas Discharge Lamps		None
Plastics containing Brominated Flame Retardants		None
Components and parts containing toner and ink, including liquids, semi-liquids (gel/paste), and toner	Includes the cartridges, print heads, tubes, vent chambers, and service stations	None
Components and waste that contain asbestos		None
Components, parts, and materials that contain refractory ceramic fibers		None
Components, parts, and materials that contain radioactive substances		None

### 1.4 Required Tools

Table 1-3 lists the tools required for disassembly.

**Table 1-3 Required Tools**

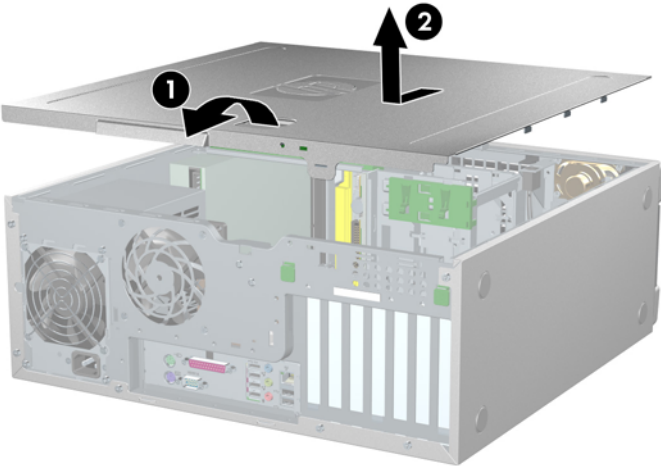
Tool Description	Tool Size (if applicable)
Torx drivers, screwdriver, diagonal cutter	



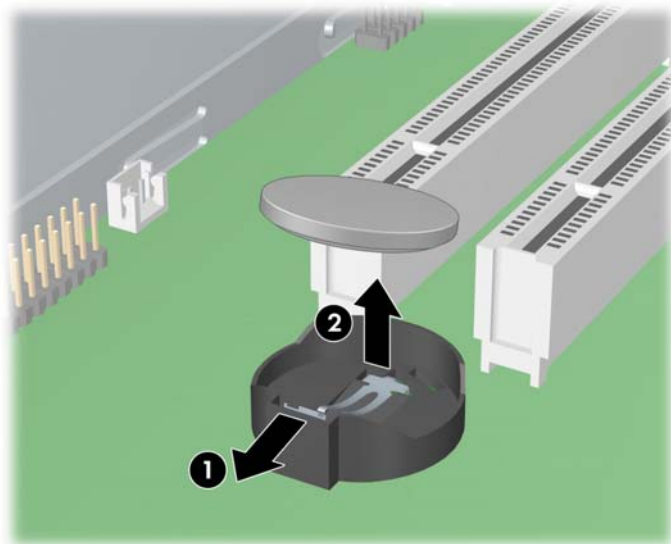
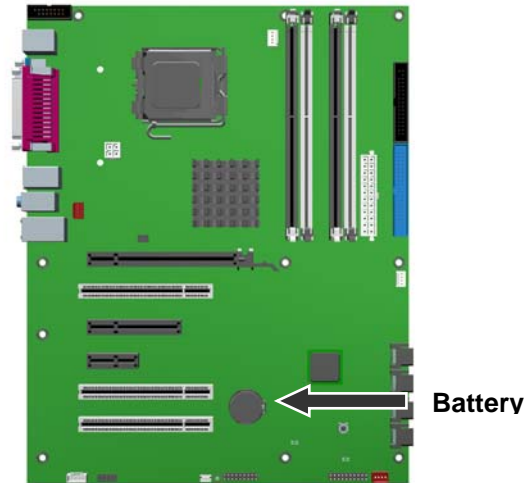
## 2 Workstation Disassembly Procedures

Table 2-1 lists the steps to follow to disassemble the workstation.

**Table 2-1 Workstation Disassembly**

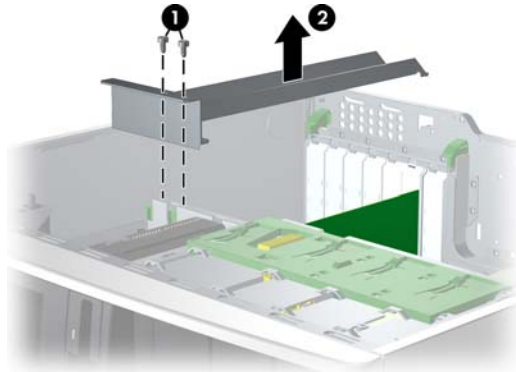
1.	Remove/disengage any security devices that prohibit opening the workstation.
2.	Disconnect the power cord from the electrical outlet and then from the workstation.
3.	Disconnect all peripheral device cables from the workstation.
4.	<p>Remove the access panel. Pull up and out on the cover latch ❶. Then slide the cover away from the bezel and lift up ❷.</p> 
5.	Disconnect all internal cables from System Board, Power Supply, and other components.

6. Remove the system battery. Press on the release tab of the battery holder ❶. Slide and lift the battery out ❷.



**7.** Remove the graphics card and any other expansion cards.  
 If necessary, remove the PCI holder. Remove the two screws ❶ retaining the card support and lift ❷ it out of the chassis.

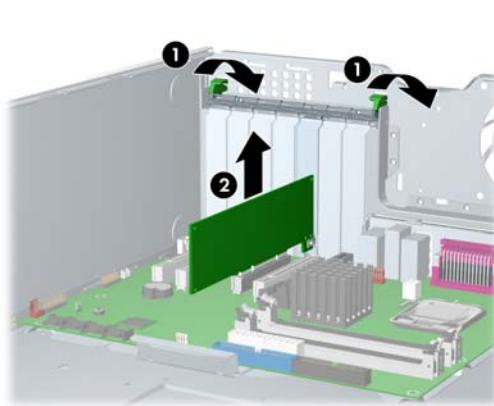
If necessary, remove the PCI support. Remove the two screws ❶ retaining the card support and lift it out of the chassis ❷.



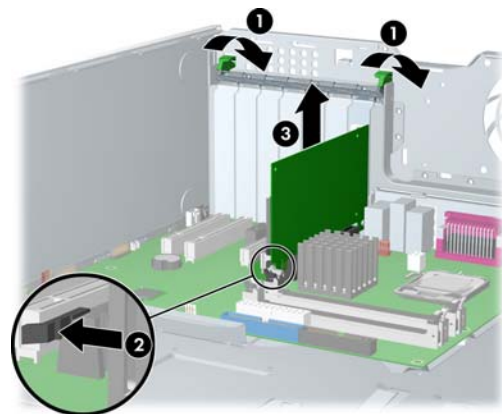
Lift the PCI levers ❶ by first pressing down, then up.

For PCI cards, lift the PCI card ❷ out of the chassis.

For PCI Express cards, press in on the release lever ❷ while lifting the card ❸ out of the chassis.

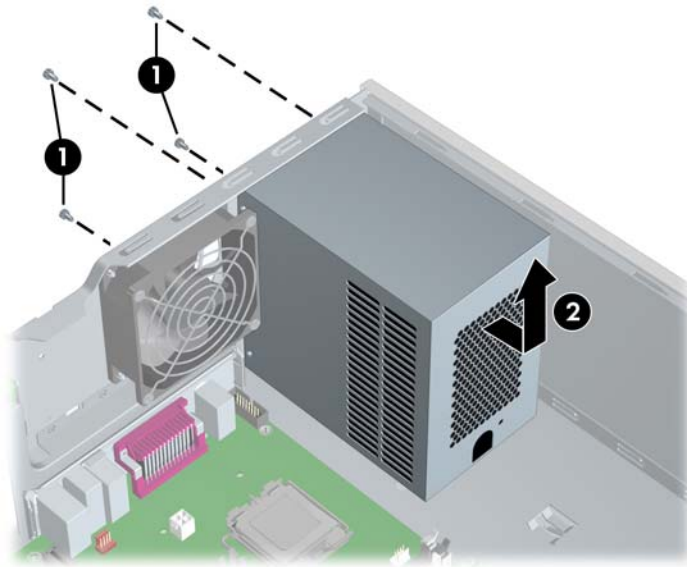


**PCI Card**

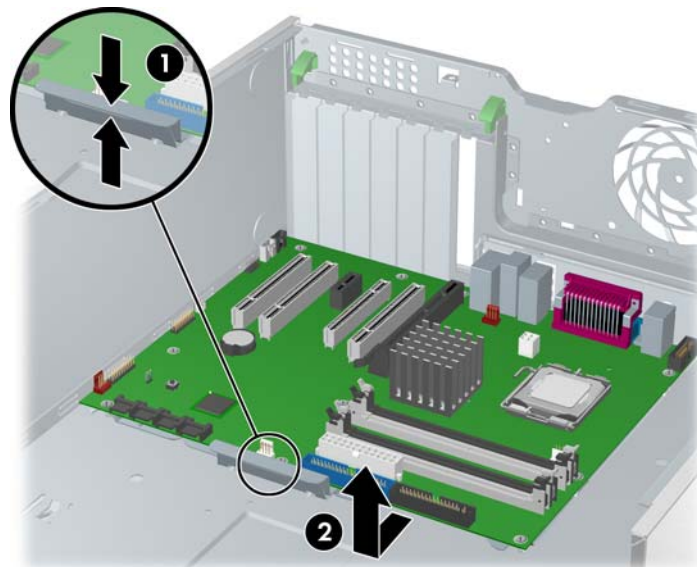


**PCI Express Card**

8. Disconnect or cut electrical connections to the power supply. Remove the four screws securing the power supply to the workstation chassis ❶. Slide the power supply toward the front, then lift up to remove it from the chassis ❷.




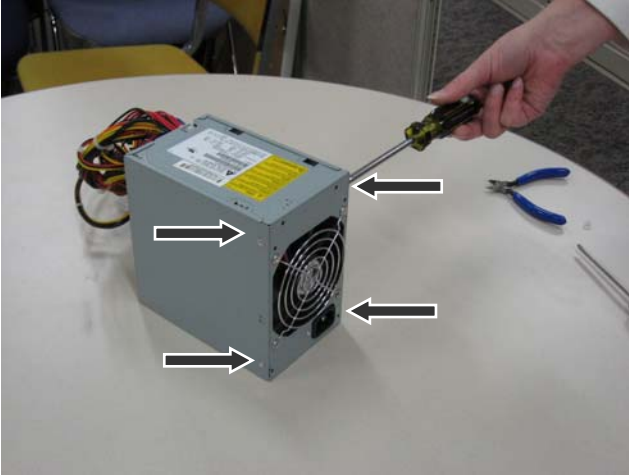
9. Remove the system board. Press the release tab ❶, then slide the board toward the front of the chassis and lift it out of the unit ❷.



### 3 Power Supply Disassembly Procedures

Table 3-1 lists the steps to follow to disassemble the power supply.

**Table 3-1 Power Supply Disassembly**

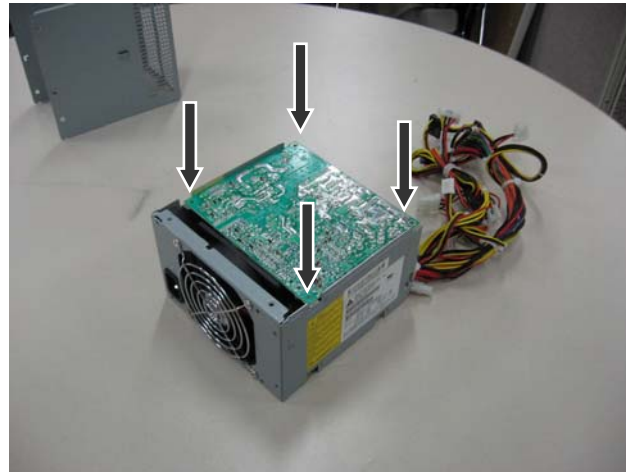
1.	Use Table 1-2 to identify all components to be removed.
2.	<p>Cut the two cable ties at the rear of the unit. Cut the single cable tie at the side.</p> 
3.	<p>Remove the four power supply chassis screws—two from each side.</p> 



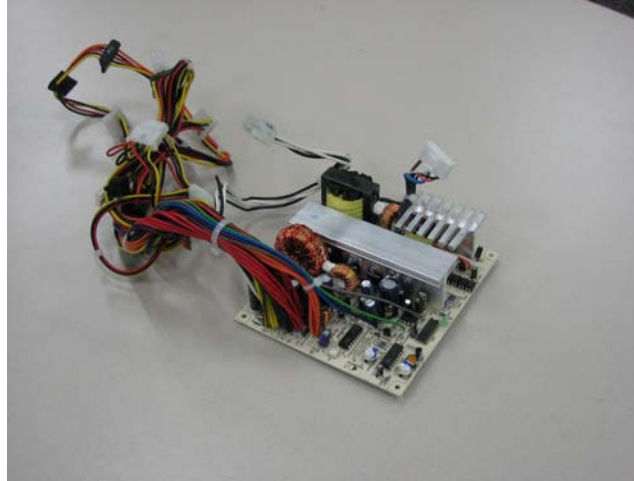
4. Slide the chassis housing from the power supply unit.



5. Remove the four screws from the corners of the large PCB card. Remove the large PCB card from the unit.



6. Ensure that all capacitors are safely discharged. Use a diagonal cutter to remove the desired components from both PCB cards. (Note that some components may need to be unsoldered if a diagonal cutter does not fit between the component and the PCB card.)



7. Dispose of all removed components according to regulatory requirements.



**HP Part Number: 407685-001**

© 2005 Hewlett-Packard Development Company, L.P. The HP Invent logo is a registered trademark of Hewlett-Packard Development Company, L.P.