



Product End-of-Life Disassembly Instructions

Product Category: Scanners

Marketing Name / Model
 [List multiple models if applicable.]

- Designjet cc 800ps / Q1278
- Designjet 4200 Scanner / Q1280
- Designjet 4500 Scanner/ Q1277A
- Designjet 4500mfp/ Q1276A (Scanner + Printer Bundle)
- Designjet 820mfp / Q6685A (Scanner + Printer Bundle)
- Designjet 815mfp / Q1279A (Scanner + Printer Bundle)

Purpose: The document is intended for use by end-of-life recyclers or treatment facilities. It provides the basic instructions for the disassembly of HP products to remove components and materials requiring selective treatment, as defined by EU directive 2002/96/EC, Waste Electrical and Electronic Equipment (WEEE).

1.0 Items Requiring Selective Treatment

1.1 Items listed below are classified as requiring selective treatment.

Item Description	Notes	Quantity of items included in product
Printed Circuit Boards (PCB) or Printed Circuit Assemblies (PCA)	With a surface greater than 10 sq cm 3 in Panel PC and (7 or 10 in Scanner)	13 (DJ4500 & 4500mfp) 10 (The rest of models)
Batteries	Placed on Panel PC	1
Mercury-containing components	Scanner Lamp	1
Liquid Crystal Displays (LCD) with a surface greater than 100 sq cm	Panel PC (LCD)	1
Cathode Ray Tubes (CRT)		0
Capacitors / condensers (Containing PCB/PCT)		0
Electrolytic Capacitors / Condensers measuring greater than 2.5 cm in diameter or height		0
External electrical cables and cords	Power Cable & Fire Wire Cable (Scanner)	2
Gas Discharge Lamps		0
Plastics containing Brominated Flame Retardants		0
Components and parts containing toner and ink, including liquids, semi-liquids (gel/paste) and toner		0
Components and waste containing asbestos		0
Components, parts and materials containing refractory ceramic fibers		0
Components, parts and materials containing radioactive substances		0

2.0 Tools Required

Tool Description	Tool Size (if applicable)
Screwdriver	0.8 x 5
PZ2 Screwdriver	90 mm blade
PZ1 Screwdriver	
Allen Key	1.3-1.5-2-2.5-3-4-5 mm
Wrench	5.5-6-7-8-13 mm
Torx	5L-6L-8L-9L-10L-20L
PHILIPS ScrewDriver	PH1 & PH2
Trimmer & MultiTrimmer	

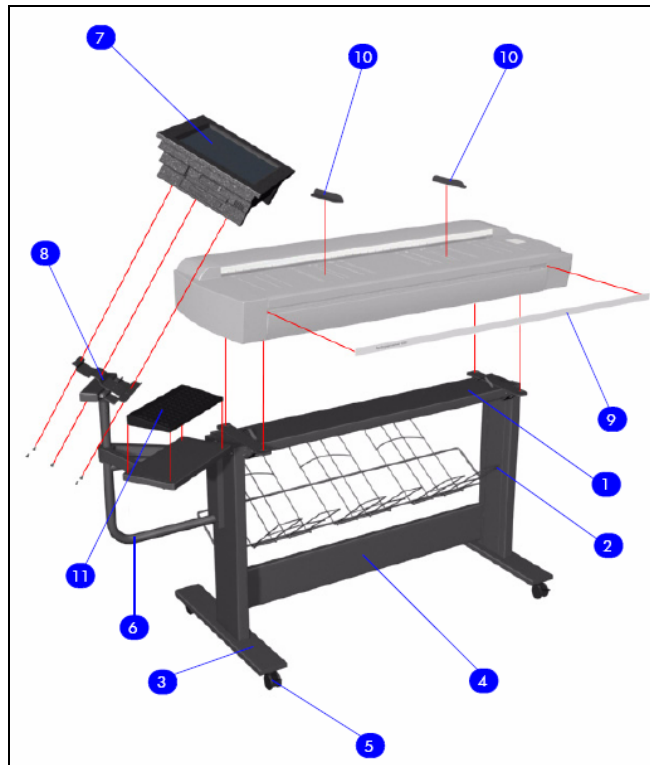
3.0 Product Disassembly Process

3.1 List of basic steps:

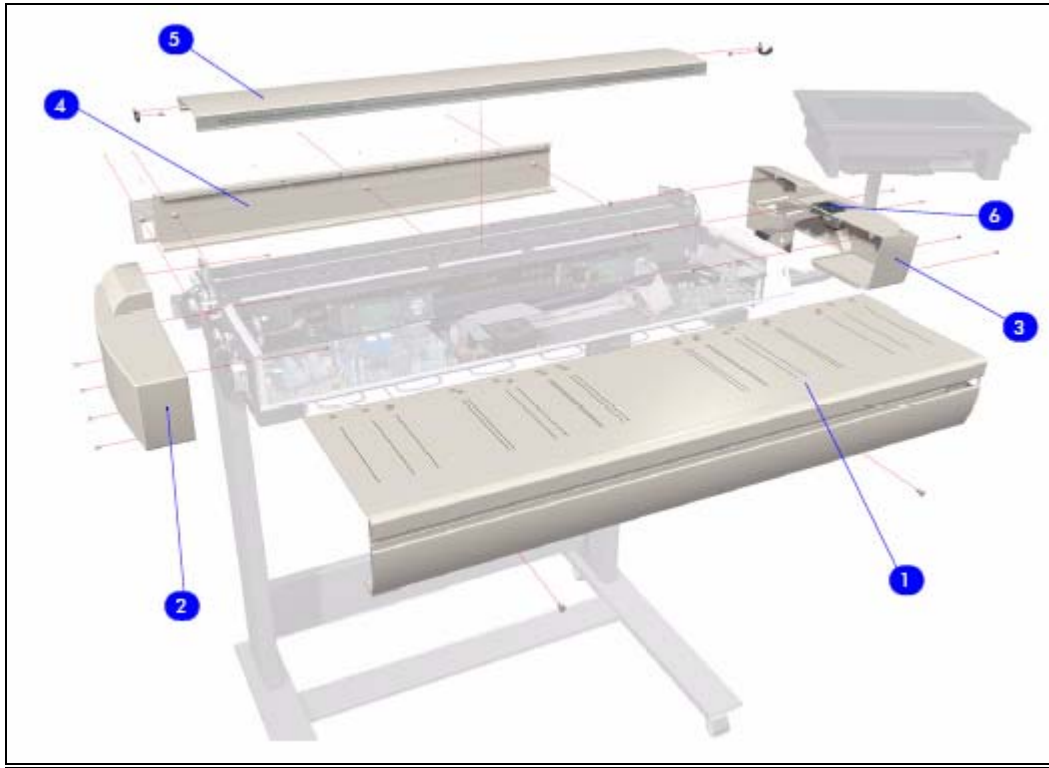
1. Follow the Graphic instruction 1, 2 & 3 to disassembly external covers.
2. Follow the Graphic instructions 4, 5 & 6 to segregate PCA from Scanner.
3. Follow the Graphic instructions 7 to segregate lamps containing mercury. There are two methods to do this job depending on the scanner model.
4. Follow the Graphic instructions 8 & 9 to segregate PCA's from Panel PC.

3.2 Graphics.

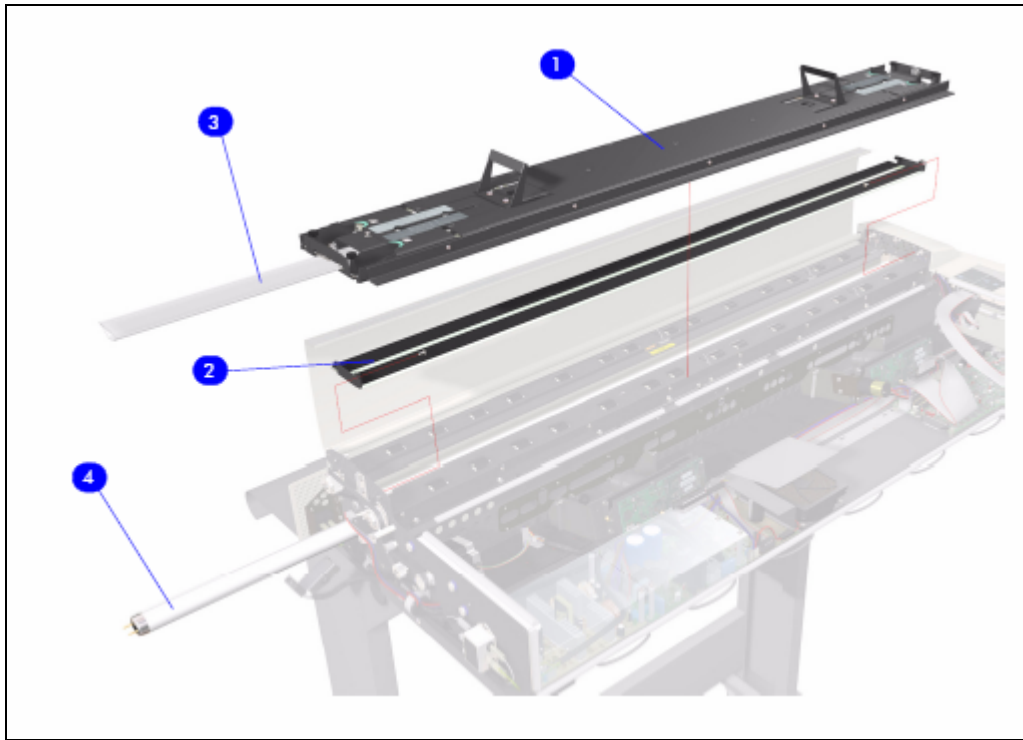
Graphic 1:



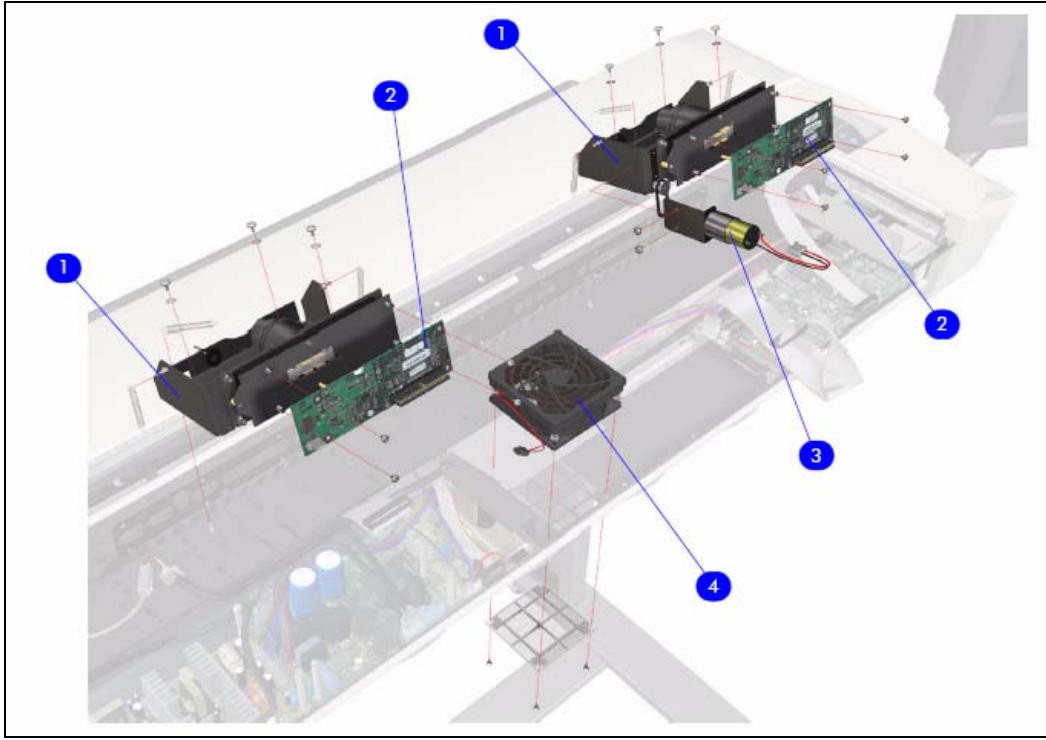
Graphic 2:



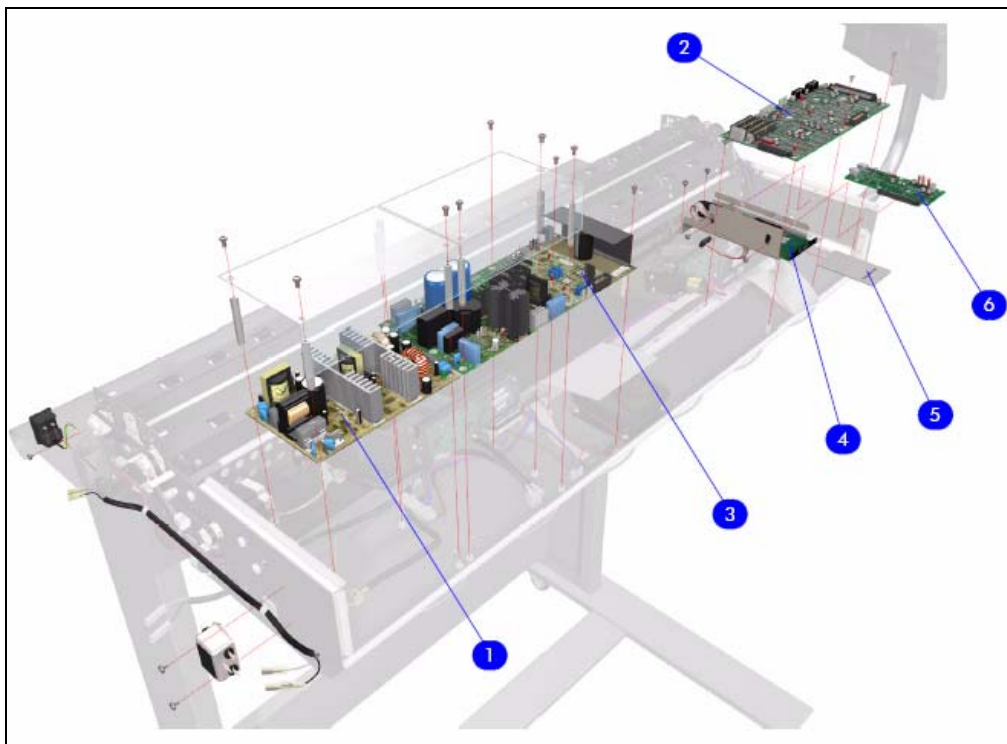
Graphic 3:



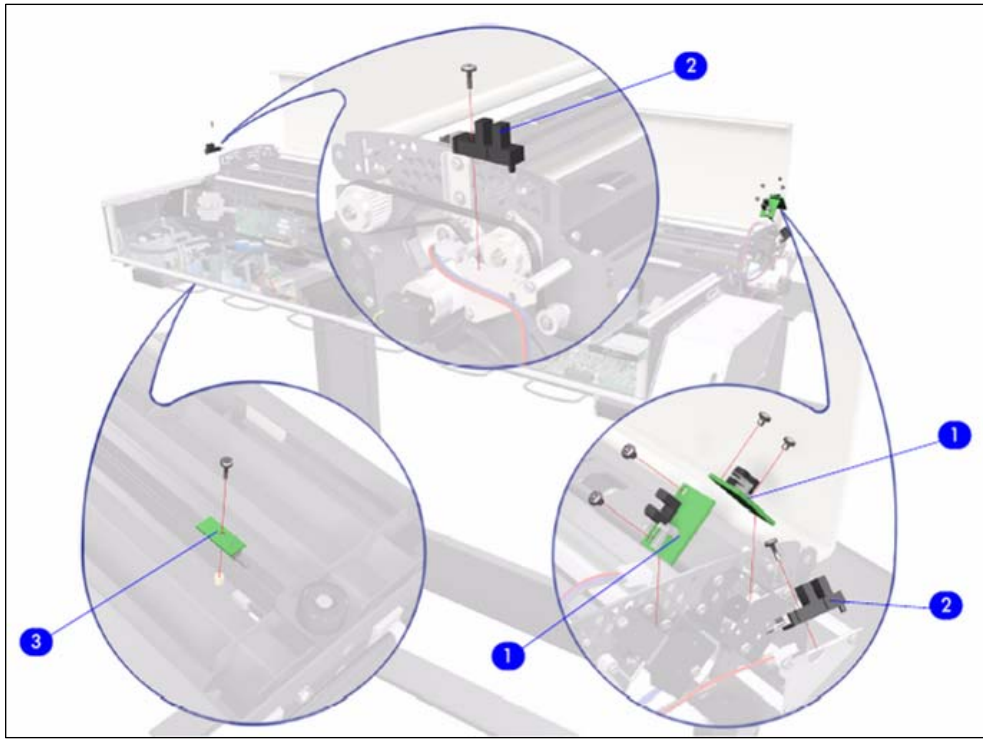
Graphic 4:



Graphic 5:



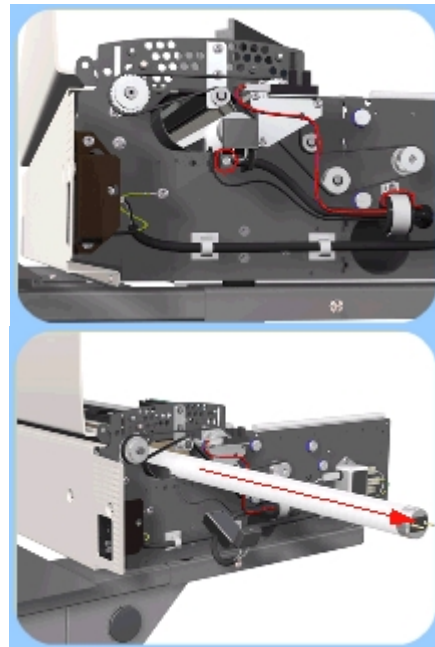
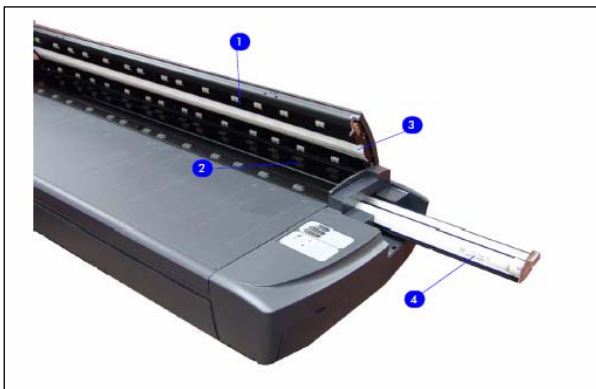
Graphic 6:



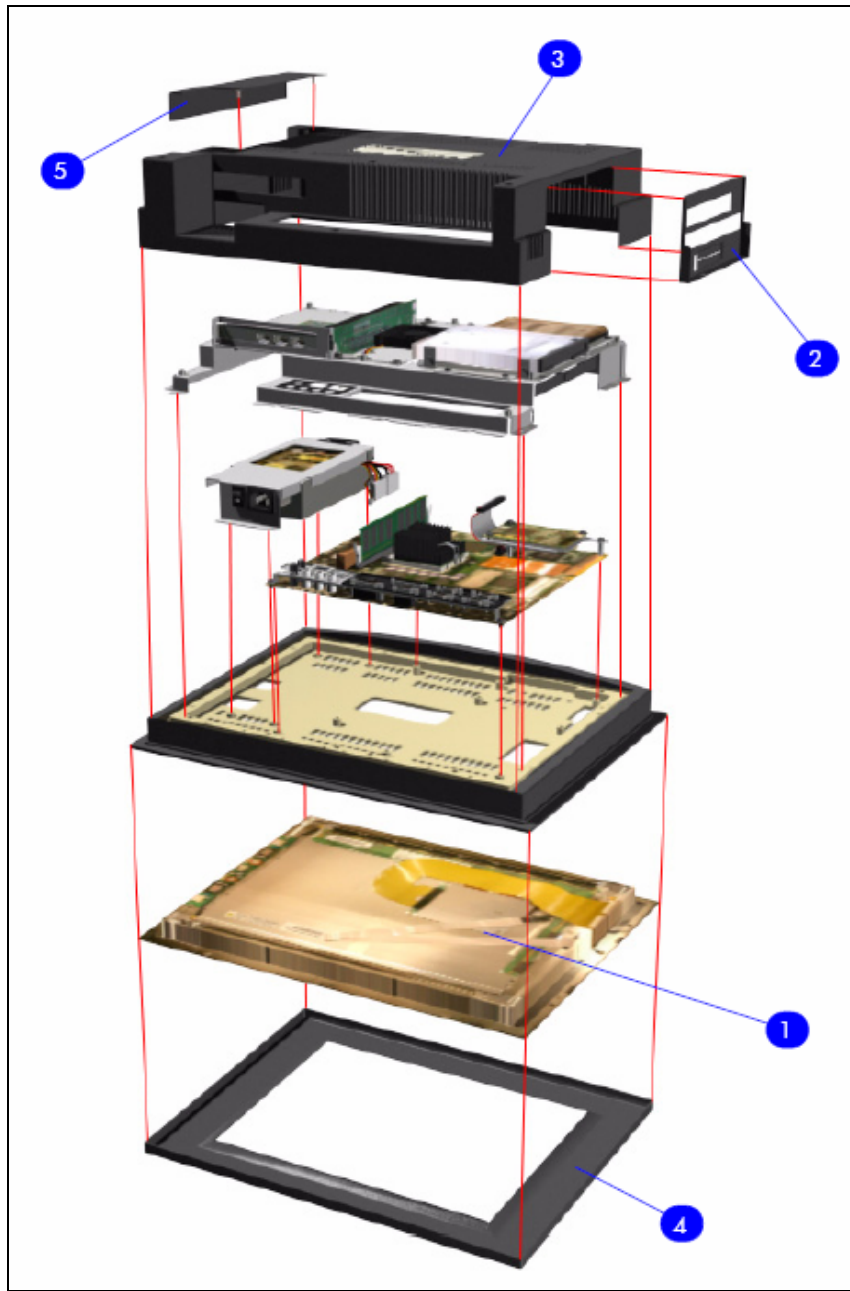
Graphic 7:

Method 1:

Method 2:



Graphic 8:



Graphic 9:

